

## HIGHLY EFFICIENT HARD-MOUNT WASHER EXTRACTORS

PC  
RANGE

PC40

18KG



### FEATURES

- Hard-mount, medium spin, up to 200 G-factor
- Stainless steel front panel & door, skin plate side panels
- Robotically welded frame
- Stainless steel drum and tub
- Control: Xtronic OPL – easy to use microprocessor
- 4-compartment soap box
- One piece cast bearing housing: long life span
- Heavy duty variable speed motor: smooth start and stop
- Patented “Water Guardian”: detects leaking valves
- Durable door latch and lock mechanism
- Large door opening: easy loading & unloading

### OPTIONS

- Xtronic VEND – 4 cycles
- Stainless steel side panels
- Liquid soap pumps

MODEL		PC40	
CONTROL OPTION		Xtronic OPL Xtronic VEND	
CAPACITY - kg		18	
OVERALL WIDTH - mm		778	
*OVERALL DEPTH - mm		1009	
OVERALL HEIGHT - mm		1199	
CYLINDER DIAMETER - mm		667	
CYLINDER DEPTH - mm		514	
CYLINDER VOLUME - liters		180	
DOOR OPENING SIZE - mm		413	
DOOR BOTTOM TO FLOOR - mm		368	
WATER INLET CONNECTION - mm		19	
DRAIN DIAMETER - mm		76	
DRAIN HEIGHT TO FLOOR - mm		122	
MOTOR POWER CONSUMPTION - hp (kw)		2 (1.7)	
TOTAL # OF SPEEDS		6, 9	
CYLINDER SPEEDS - RPM (G-FORCE)		Gentle 33 (0.4) Wash 46 (.8) Distribution 82 (2.5) Very Low 269 (27) Low 464 (80) Medium 518 (100) ** High 579 (120) **Very High 635 (150) **Ultra High 733 (200)	
*** VOLTAGE/ CIRCUIT BREAKER - FLA	B	120/60/1	20-16
	X	200-208/220- 240/50/60/1/3	15-7 (1 Ph) 15-4 (3 Ph)
	Q	200-208/220-240/50/60/3	15-4
	N	440-480/50/60/3	15-3
	P	380-415/50/60/3	15-3
SHIPPING DIMENSIONS APPROX. - mm		Width 826 Depth 1105 Height 1361	
NET WEIGHT - kg		249	
SHIPPING WEIGHT - kg		268	
SLAT CRATE SHIPPING WEIGHT - kg		313	
****AGENCY APPROVALS		c ETL <sub>us</sub> CE	

\*Overall depth includes vacuum breaker to door handle.

\*\*High, Very High, and Ultra High Spin Speeds are available on the Xtronic OPL models only.

\*\*\*Circuit breaker and amp draw data shown are for models without electric heat. Consult factory for other configurations. Manufacturer strongly recommends using a circuit breaker instead of fuses. Use 3-pole circuit breakers for 3-phase machines.

\*\*\*\*Agency approvals may vary depending on configuration. Consult factory for details. Steam connection requires 1/2" N.P.T.

For the most accurate information, the installation guide should be used for all design and construction purposes. Due to continuous product improvements, design and specifications subject to change without notice. The quality management system of Alliance Laundry Systems has been registered to ISO 9001.

## Xtronic OPL

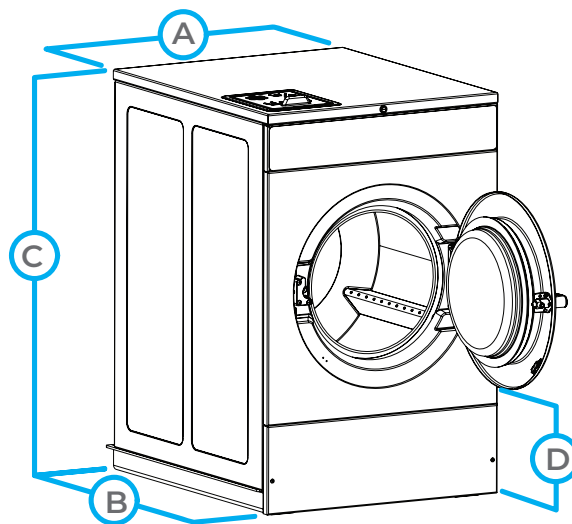


Customize your washing power with the ability to choose between three water levels while eliminating wasted water with advanced leak detection. PC programming, audit data retrieval and advanced diagnostics save time, while 200 G-Force extraction speeds reduce drying time and utility consumption.

## Xtronic VEND



For laundry managers requiring basic management options, Xtronic VEND offers a 100 or 200 G-Force extraction speed, 4 cycle selections, 30 water levels, 2 cycle modifiers (Extra wash, Extra rinse) and manual programming.



MODEL	PC40
A. OVERALL WIDTH - mm	778
B. *OVERALL DEPTH - mm	1009
C. OVERALL HEIGHT - mm	1199
D. DOOR BOTTOM TO FLOOR - mm	368

The Primus preserves the right to change the machines and the specification in this leaflet at any time, without prior notice. Details and photographs are only for information and never binding.

[www.primuslaundry.com](http://www.primuslaundry.com)

Primus by Alliance Laundry Systems

